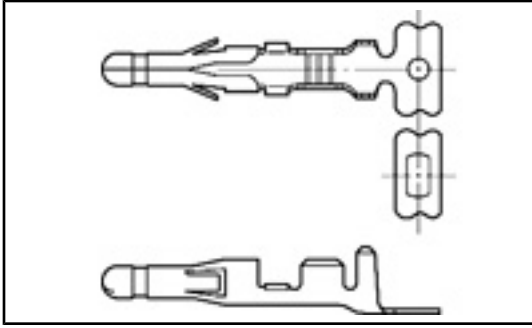


770145-1 Product Details



770145-1

TE Internal Number: 770145-1

 [Active](#)

**.198, .200, .250" Centerline, 250 V,
13 A max.**

 [Always EU RoHS/ELV Compliant \(Statement of Compliance\)](#)

Product Highlights:

- Contact
- Pin
- Pre-Tin Solder Tail Contact Plating
- Packaging Method = Loose Piece
- Wire Range = 0.50-2.00² [20-14] mm [AWG]

[View all Features](#)

Documentation & Additional Information

Product Drawings:

- [PIN, .093, LOOSE PIECE](#), (PDF, English)

Catalog Pages/Data Sheets:

- [SOFT SHELL PIN SOCKET CONNECTORS STANDARD DENSITY](#) (PDF, English)

Product Specifications:

- [Connector, Commercial, Pin & Socket .093 Dia](#) (PDF, English)

Application Specifications:

- [.093 Diameter Pin and Socket Contacts and Housings](#) (PDF, English)

Instruction Sheets:

- None Available

CAD Files: ([CAD Format & Compression Information](#))

- [2D Drawing](#) (DXF, Version D)
- [3D Model](#) (IGES, Version D)
- [3D Model](#) (STEP, Version D)

[List all Documents](#)

Related Products:

- [Tooling](#)
- [Housings \(69\)](#)

Product Features (Please use the Product Drawing for all design activity)

Product Type Features:

- Product Type = Contact
- Gender = Pin
- Wire Insulation Diameter (mm [in]) = 3.56 [0.140]
- Connector Line = Commercial Pin and Socket
- Comment = Pins or Sockets may be used in either the plug or receptacle housings.; Contact Insertion Tool No. 91002-1 (IS 408-7347); Extraction Tool No. 458994-3 (IS 408-9923)

Electrical Characteristics:

- Voltage (VAC) = 250
- Current Rating (Amps.) = 13
- High Current = No

Termination Related Features:

- Solder Tail Contact Plating = Pre-Tin

Body Related Features:

- Wire Range (mm [AWG]) = 0.50-2.00² [20-14]
- Contact Diameter (mm [in]) = 2.36 [0.093]
- Stock Thickness (mm [in]) = 0.25 [0.010]

Contact Related Features:

- Contact Base Material = Brass

Industry Standards:

- [RoHS/ELV Compliance](#) = RoHS compliant, ELV compliant
- [Lead Free Solder Processes](#) = Not relevant for lead free process
- RoHS/ELV Compliance History = Always was RoHS compliant

Packaging Related Features:

- Packaging Method = Loose Piece

Other:

- Brand = AMP